

# PRODUCT SHEET

Removable Posts

VENDOME

## DESCRIPTION

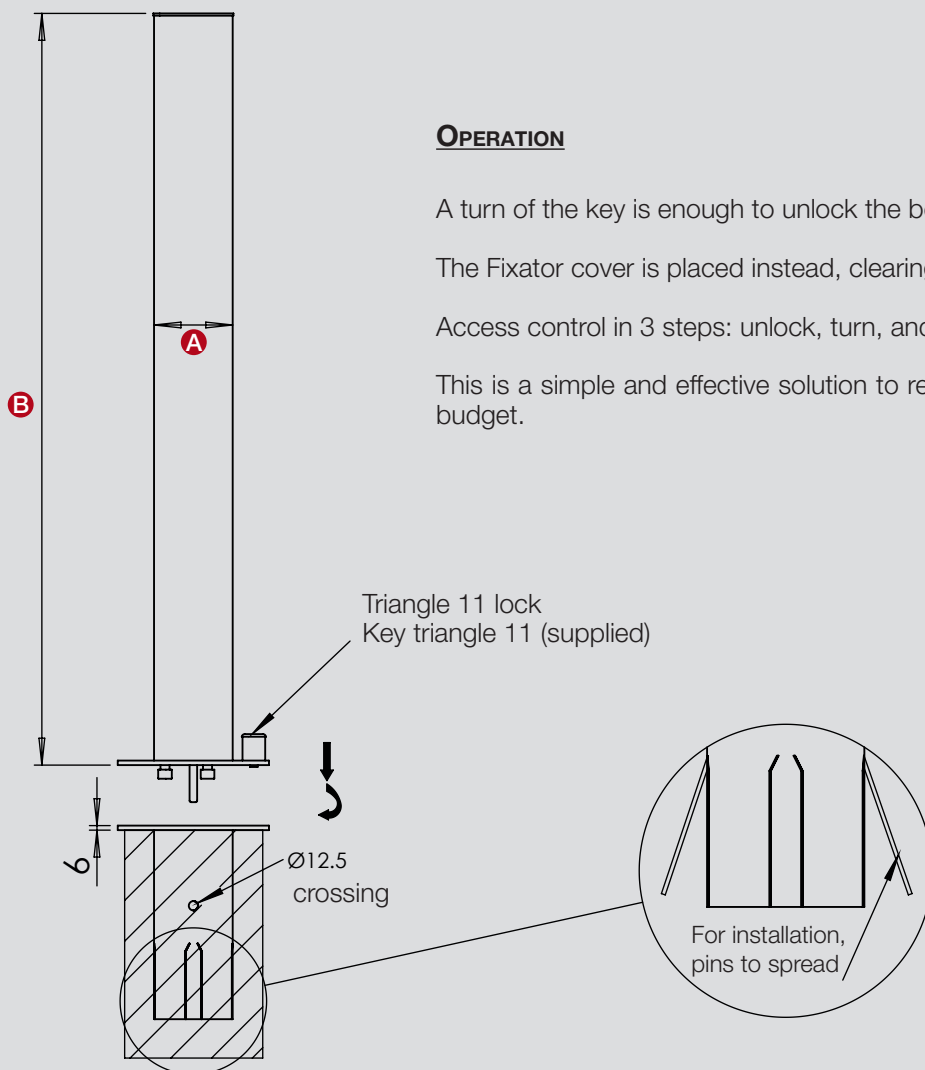
Made of polished stainless steel, the Vendôme model is the ideal bollard for modern contemporary architecture sites. It integrates perfectly in prestige surroundings of historical nature as well as architectural projects. It ideally matches areas covered in marble or granite and also fits well in interior placements.

**MATERIAL:** Stainless Steel 316L

**WALL THICKNESS:** 2 mm

**TREATMENT:** polishing (grain 220)

DIMENSIONS (mm)	A	B	Weight
□ PAVDMD100	104	1000	8,5 kg
□ PAVDME100	140	1000	15,2 kg



## OPERATION

A turn of the key is enough to unlock the bollard and remove it from its socket.

The Fixator cover is placed instead, clearing the way for free access.

Access control in 3 steps: unlock, turn, and lift.

This is a simple and effective solution to restrict access to any area with a small budget.