

Fixed bollards are used in public and private spaces to mark out traffic areas and parking zones or simply to protect spaces vehicles are not permitted to enter.

Material : Cast iron EN-GLS-400-15

Finish

Zinc-based primer as standard reinforcing corrosion-resistance
Matt finish thermosetting polyester powder top coat (RAL7016 standard)

Sizes available

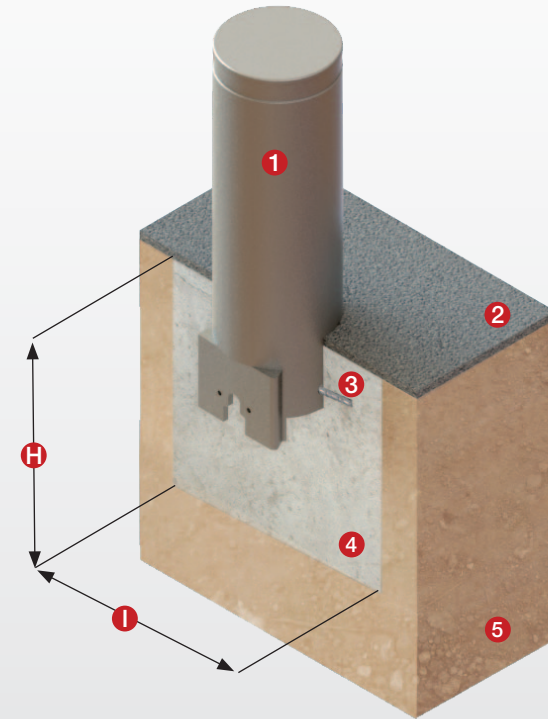
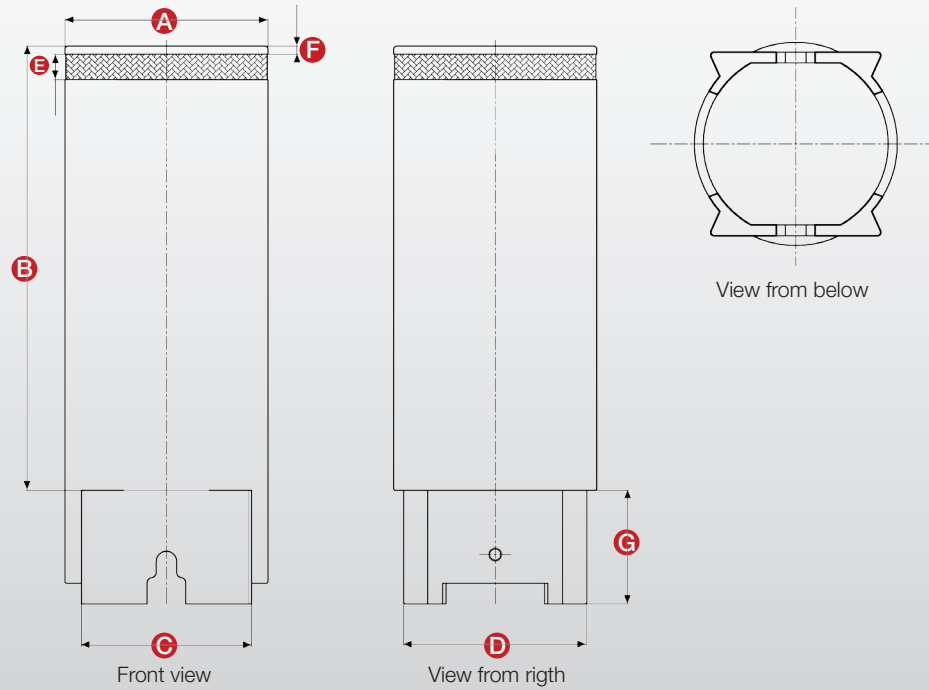
Reference	Diameter	Height	Weight
BSCLPD50G	120 mm	500 mm	20 kg
BSCLPD75G	120 mm	750 mm	26 kg
BSCLPE50G	200 mm	500 mm	30 kg
BSCLPE75G	200 mm	750 mm	41 kg
BSCLPF50G	250 mm	500 mm	45 kg
BSCLPF75G	250 mm	750 mm	62 kg

Options

- Choice of RAL paint colours
- Class II reflective band (white, yellow or red)



BSCLPE50G + reflective bandband



- 1 Fixed bollard
- 2 Asphalt surface
- 3 Iron bars Ø8mm to renfore anchoring underground
- 4 3000 PSI or 350 to 400 kg/m3 concrete
- 5 Natural permeable soil

	A	B	C	D	E	F	G	H	I
BSCLPD50G	117,5 mm	540 mm	112 mm	102 mm	33 mm	10 mm	135 mm	400 mm	400 mm
BSCLPD75G	117,5 mm	807 mm	112 mm	102 mm	33 mm	10 mm	157 mm	400 mm	400 mm
BSCLPE50G	200 mm	540 mm	168 mm	184 mm	33 mm	10 mm	135 mm	400 mm	450 mm
BSCLPE75G	200 mm	790 mm	168 mm	184 mm	33 mm	10 mm	135 mm	400 mm	450 mm
BSCLPF50G	247 mm	540 mm	207 mm	223 mm	33 mm	10 mm	138 mm	400 mm	450 mm
BSCLPF75G	247 mm	790 mm	207 mm	223 mm	33 mm	10 mm	138 mm	400 mm	450 mm