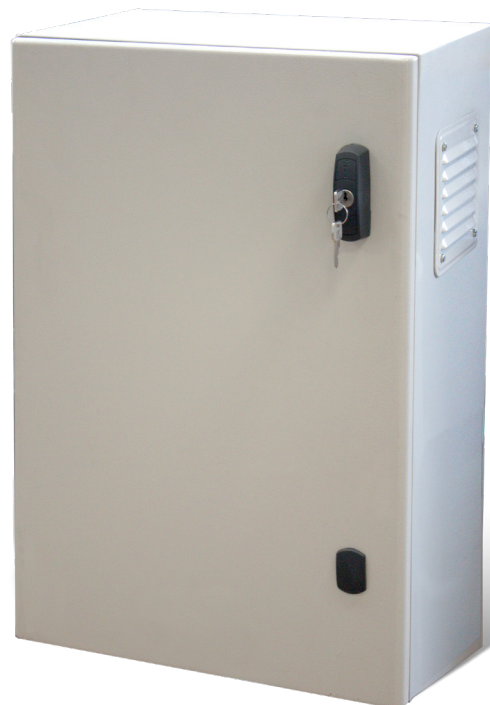


## DESCRIPTION

The technical center is to be installed in a technical room, and includes the automation for managing CAME URBACO bollards.

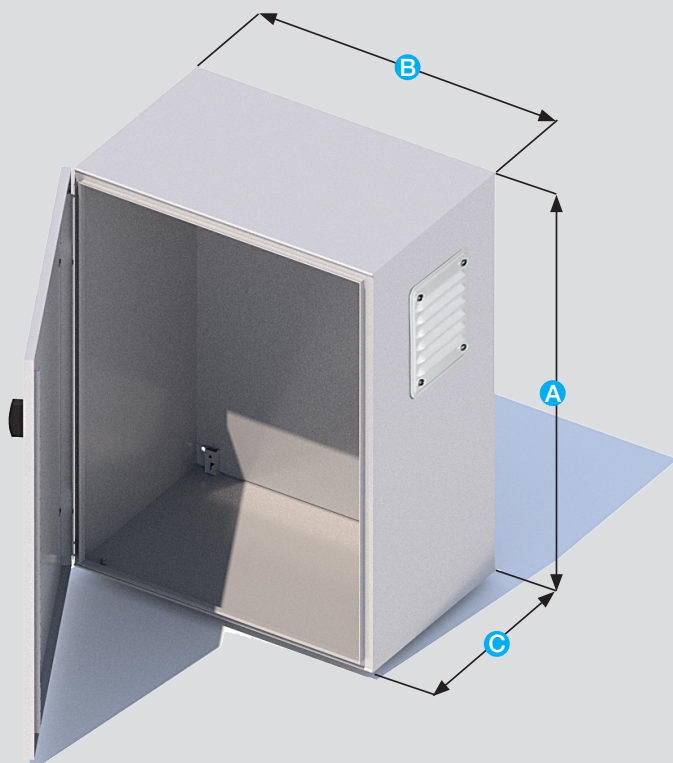
## CHARACTERISTICS

- Material:** steel 1,5mm (body) and 1,8mm (door)
- Finishing:** textured polyester (60µm) ral 7035
- Fixing:** wall (mounting brackets supplied, screws not included)
- Isolation:** thermal and sound isolation, thickness 5 mm
- Ventilation:** fan 30m3 with dust and bug proof filter
- Lock:** 2 points minimum
- Protection rating:** IP54
- IK10 in accordance with IEC62262 standard
- Cable gland supplied (quantity according to dimensions)



## OUTER DIMENSIONS

| Commercial name | A       | B      | C      |
|-----------------|---------|--------|--------|
| 600x400         | 600 mm  | 400 mm | 250 mm |
| 600x600         | 600 mm  | 600 mm | 250 mm |
| 800x600         | 800 mm  | 600 mm | 250 mm |
| 1000x800        | 1000 mm | 800 mm | 400 mm |



## EXAMPLE OF INSTALLATION ON A INNER WALL

